

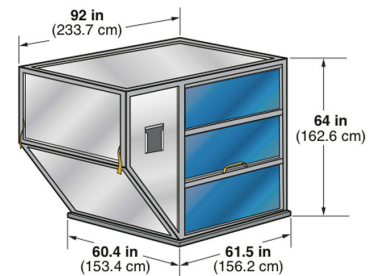


Air freight ULD (Unit Load Devices) specifications

Please note that it is possible that individual container manufacturers and airlines may have container specifications that differ somewhat from those listed below. Therefore please inquire the precise specifications with your airline or freight forwarder when arranging your shipment.

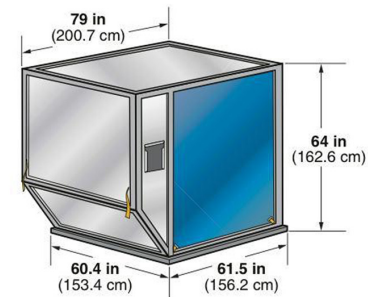
LD-1

IATA ULD code:	AKC Contoured Container
Also known as:	AVC, AVD, AVK, AVJ
Forkable:	AVY
Classification:	LD-1
Rate Class:	Type 8
Suitable for:	B747, B767, B777, MD-11
Internal volume:	4,8 m ³
Max. gross weight:	1 588 kg



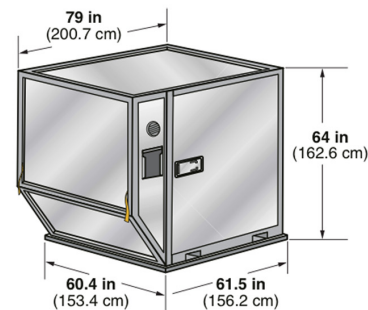
LD-3

IATA ULD code:	AKE Contoured Container
Also known as:	AKE, AVA, AVB, AVK, DVA, DVE, DVP, XKS, XKG
Forkable:	AKN, AVN, DKN, DVN, XKN
Classification:	LD-3
Rate Class:	Type 8
Suitable for:	A300, A310, A330, A340, B747, B767, B777, DC-10, MD-11, L1011
Internal volume:	4,3 m ³
Max. gross weight:	1 588 kg



Insulated LD-3

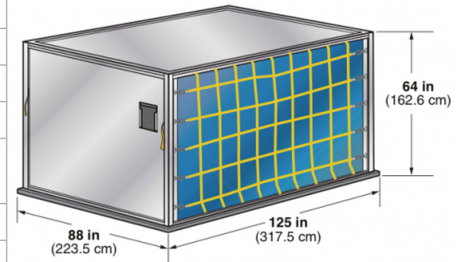
IATA ULD code:	RKN
Also known as:	-
Forkable:	-
Classification:	LD-3
Rate Class:	Type 8
Suitable for:	A300, A310, A330, A340, B747, B767, B777, DC-10, MD-11, L1011
Internal volume:	3,0 m ³
Max. gross weight:	1 588 kg
Temp control range:	-20C to +20C





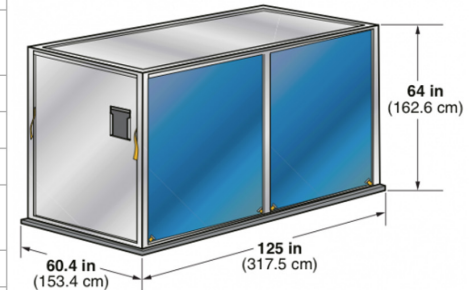
LD-9

IATA ULD code:	AAP Enclosed Pallet on P1P base
Also known as:	AA2, XAG, XAV
Forkable:	-
Classification:	LD-9
Rate Class:	Type 5
Suitable for:	A300, A310, A330, A340, B747, B767, DC-10, MD-11, L1011
Internal volume:	9,1 m ³
Max. gross weight:	4 624 kg (lower deck) 6 000 kg (main deck)



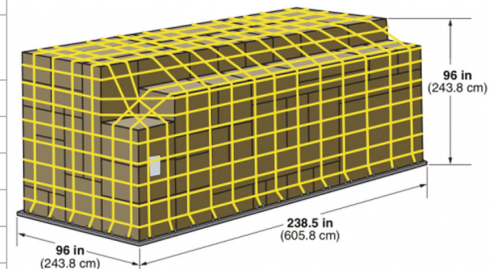
LD-11

IATA ULD code:	ALP Rectangular Container
Also known as:	ADL, AW2, AWD, AWZ, DLP, DWB, MWB
Refrigerated ver.:	RWB, RWD, RWZ
Classification:	LD-11
Rate Class:	Type 6
Suitable for:	A300, A310, A330, A340, B747, B767, DC-10, MD-11, L1011
Internal volume:	7,2 m ³
Max. gross weight:	3 176 kg



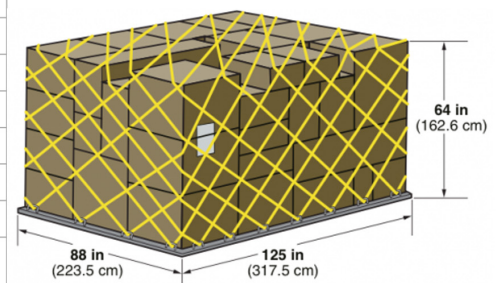
20" Pallet

IATA ULD code:	PGA 20ft flat pallet with net
Also known as:	PGA, PGE, PGF, PSA, PSG, P7A, P7E, P7F, P7G
Forkable:	-
Classification:	M-6
Rate Class:	Type 1
Suitable for:	B747F, B747Combi
Max. volume:	33,2 m ³
Max. gross weight:	11 340 kg



88" Pallet

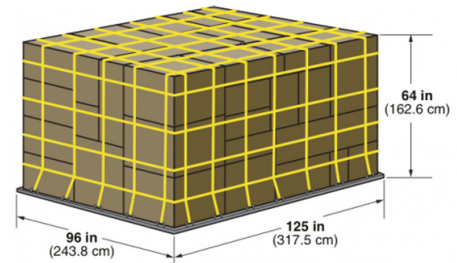
IATA ULD code:	P1P
Also known as:	-
Forkable:	-
Classification:	88" Pallet with net
Rate Class:	-
Suitable for:	B747, B767, B777, DC-10
Max. volume:	11,9 m ³
Max. gross weight:	747/DC-10: 6 033 kg 767: 5 103 kg 777/DC-10: 4 626 kg





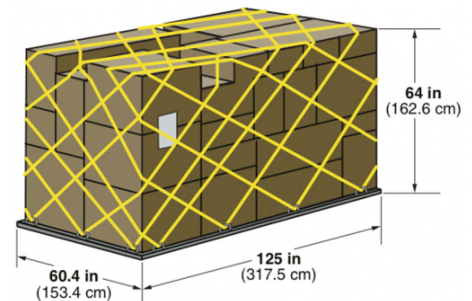
96" Pallet

IATA ULD code:	P6P 10ft flat pallet with net
Also known as:	P6A, P6C, p6Q, PMA, PMC, PMP, PQP
Forkable:	-
Classification:	LD-9
Rate Class:	Type 2BG
Suitable for:	A300, A310, A330, A340, B747, B767, B777, DC-10, MD-11, L1011
Max. volume:	21,2 m ³
Max. gross weight:	6 804 kg



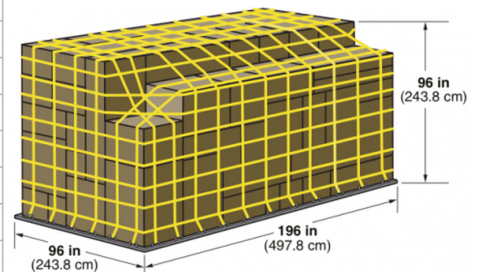
Half Pallet

IATA ULD code:	PLA half pallet with net
Also known as:	PLB, FLA, P9A, P9P, P9R, P9S
Forkable:	-
Classification:	HP
Rate Class:	Type 6
Suitable for:	Lower deck: B747, B777 Main deck: B707F, B727F, B737F
Max. volume:	7,2 m ³
Max. gross weight:	3 175 kg



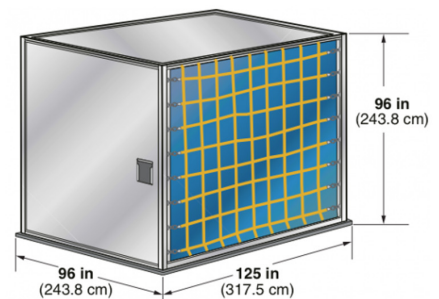
16" Pallet

IATA ULD code:	PRA 16ft flat pallet with net
Also known as:	PMA, P4A, P4M, PZA
Forkable:	-
Classification:	MDP
Rate Class:	Type 1P
Suitable for:	B747, B747 Combi
Max. volume:	26,8 m ³
Max. gross weight:	11 300 kg



AQ6

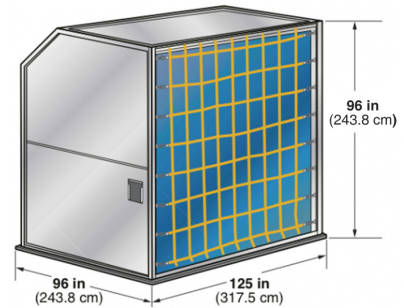
IATA ULD code:	AMA Rectangular Container on P6P base
Also known as:	AMF, AMG, AMK, AMP, AQA, AQD, AQ6
Forkable:	-
Classification:	M-1
Rate Class:	Type 2
Suitable for:	B747F, B747Combi
Internal volume:	17,5 m ³
Max. gross weight:	6 804 kg





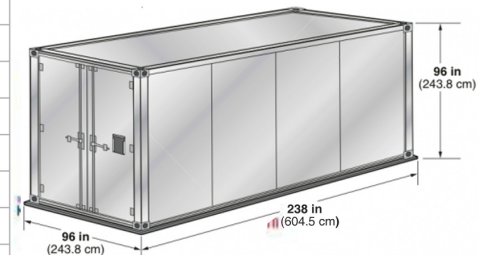
AQ7

IATA ULD code:	AMD Contoured Container on P6P base
Also known as:	AQA, AQ7
Forkable:	-
Classification:	M1H
Rate Class:	Type 2H
Suitable for:	B747F, B747Combi
Internal volume:	19,9 m ³
Max. gross weight:	6 800 kg



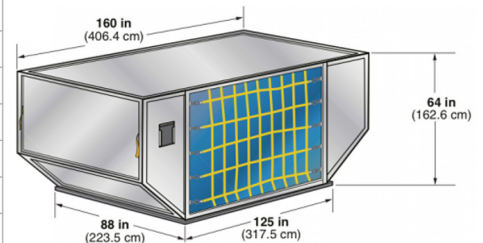
M-6

IATA ULD code:	AGA 20ft Box Container
Also known as:	ASE
Forkable:	-
Classification:	M-6
Rate Class:	Type 1
Suitable for:	B747F, B747Combi
Internal volume:	33,0 m ³
Max. gross weight:	11 340 kg



LD-26

IATA ULD code:	AAF
Also known as:	-
Forkable:	-
Classification:	LD-26
Rate Class:	-
Suitable for:	B747, B777, DC-10
Internal volume:	-
Max. gross weight:	747/DC-10: 6 033 kg 777/DC-10: 4 626 kg



LD-29

IATA ULD code:	AAU Contoured Container on P1P base
Also known as:	-
Forkable:	-
Classification:	LD-29
Rate Class:	Type 5
Suitable for:	B747
Internal volume:	14,2 m ³
Max. gross weight:	6 033 kg

